

TİP TYPE : BDKV – FL – TG {DN 15 – DN 200} {PN 16 / PN 40}

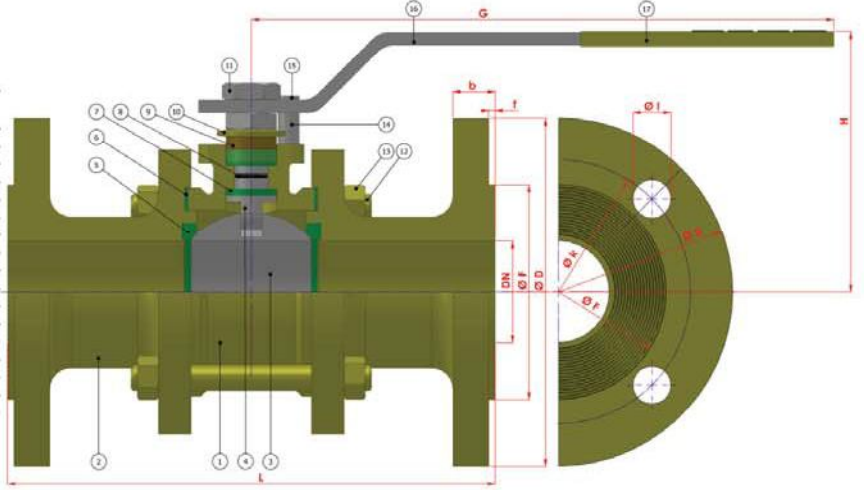
TAM GEÇİŞLİ / FLANŞLI
FULL BORE / FLANGED

Boyutlar	Dimensions	: TS 9809 / EN 558-1
Bağlantılar	Connections	: FLANŞLI / FLANGED PN 16; DIN 2533 / EN 1092-1 FLANŞLI / FLANGED PN 40; DIN 2545 / EN 1092-1
Çalışma Basıncı	Working Pressure	: PN 16 - PN 40
Çalışma Sıcaklığı	Working Temperature	: -30 °C / + 180 °C
Kullanım Alanları	Usage Areas	: Doğalgaz, LPG - LNG, Fuel-Oil, Basıncılı Hava ve Diğer Gazlar Natural Gas, LPG-LNG, Fuel-Oil, Pressurized Air and Other Gases etc.



MALZEME BİLGİSİ MATERIAL DATA

PARÇA NO ITEM NO	ADET PCS	PARÇA ADI ITEM DESCRIPTION	MALZEME MATERIAL	
17	1	PLASTİK KAPLAMA	PVC	PVC
16	1	KÜRE HAREKET KOLU	st 37	1.4301.
15	1	CIVATA	ST 42 Gal.	1.4301. - 1.4401.
14	1	STOPLAMA PİMİ	ST 42 Gal.	1.4301.
13	8	SOMUN	5.6.	1.4301. - 1.4401.
12	4	SAPLAMA	CK 35 / CK 45	1.4301.
11	2	KONTRA SOMUN	5.6 Gal.	1.4301.
10	2	ÇANAK PUL	50 Cr V 4	1.4301.
9	1	BASKI RİNGİ	MS 58	1.4301. - 1.4401.
8	1	MİLD-RİNG	VİTON	VİTON
7	4	BOĞAZ SIZDIRMAZLIK TEFLONU	PTFE-Teflon	PTFE-Teflon
6	2	GÖVDE SIZDIRMAZLIK TEFLONU	PTFE-Teflon	PTFE-Teflon
5	2	KÜRE SIZDIRMAZLIK TEFLONU	PTFE-Teflon	PTFE-Teflon
4	1	HAREKET MİLİ	1.4021	1.4301. - 1.4401.
3	1	KÜRE	1.4301 / 1.4086	1.4305. - 1.4401.
2	2	KAPAK	A 216 WC B	1.4301. - 1.4401.
1	1	GÖVDE	A 216 WC B	1.4301. - 1.4401.



TİP TYPE	BOYUT VE BAĞLANTI ÖLÇÜLERİ (DIMENSIONS AND CONNECTION SIZES)																		
	PN 16												PN 40						
	L	G	H	f	D	b	k	Hole Unit	I	F	kg	D	b	k	Hole Unit	I	F	Kg	
BDKV-FL-TG																			
DN 15 1/2"	130	150	75	2	95	14	65	4	14	45	2,4	95	16	65	4	14	45	2,7	
DN 20 3/4"	150	150	83	2	105	16	75	4	14	58	3,3	105	18	75	4	14	58	4,0	
DN 25 1"	160	180	90	2	115	16	85	4	14	68	4,5	115	18	85	4	14	68	4,8	
DN 32 1 1/4"	180	230	95	2	140	16	100	4	18	78	5,8	140	18	100	4	18	78	7,0	
DN 40 1 1/2"	200	275	115	3	150	16	110	4	18	88	7,5	150	18	110	4	18	88	9,7	
DN 50 2"	230	275	120	3	165	18	125	4	18	102	11,5	165	20	125	4	18	102	12,6	
DN 65 2 1/2"	290	320	135	3	185	18	145	4	18	122	17,0	185	22	145	8	18	122	19,2	
DN 80 3"	310	380	150	3	200	20	160	8	18	138	24,8	200	24	160	8	18	138	26,7	
DN 100 4"	350	450	170	3	220	20	180	8	18	158	32,0	235	24	190	8	22	162	41,5	
DN 125 5"	400	450	200	3	250	22	210	8	18	188	40,0	270	26	220	8	26	188	50,0	
DN 150 6"	450	650	235	3	285	22	240	8	22	212	68,5	300	28	250	8	26	218	78,5	
DN 200 8"	550	900	270	3	340	24	295	12	22	268	140,0	375	34	320	12	30	285	180,0	