

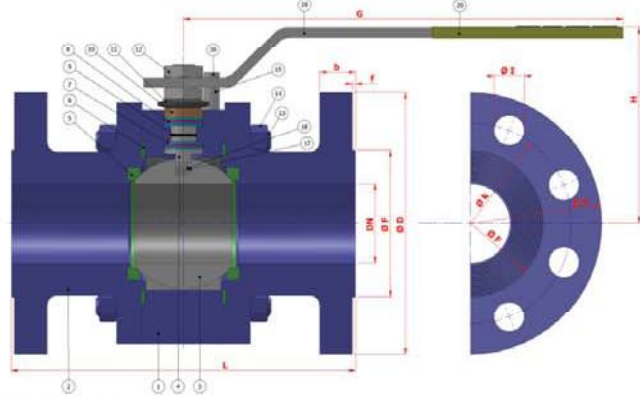
TİP TYPE: BKV – FL – TG

{DN 15 – DN 300}

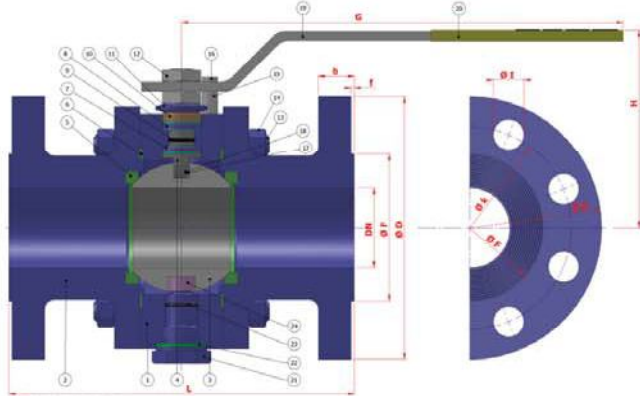
{CLASS 300 ( PN50)}

TAM GEÇİŞLİ / FLANŞLI  
FULL BORE / FLANGED

Dizayn	Desing	: API 6D / ISO 14313
Boyutlar	Dimensions	: ASME B 16.10
Bağlantılar	Connections	: FLANŞLI / FLANGED ASME B 16.5
Çalışma Basıncı	Working Pressure	: CLASS 300 ( PN 50 )
Çalışma Sıcaklığı	Working Temperature	: -30 °C / + 180 °C
Kullanım Alanları	Usage Areas	: Doğalgaz, LPG - LNG, Fuel-Oil, Basıncılı Hava ve Diğer Gazlar Natural Gas, LPG-LNG, Fuel-Oil, Pressurized Air and Other Gases etc.



FLOATING



TRUNNION

MALZEME BİLGİSİ MATERIAL DATA					
PARÇA NO ITEM NO	ADET PCS	PARÇA ADI ITEM DESCRIPTION	MALZEME MATERIAL		
24	1	ALT YATAK TEFLONU	BALL TIGHTNESS ELEMENT	PTFE-Teflon	PTFE-Teflon
23	1	ALT YATAK O-RING	SPINDLE O-RING	VITON	VITON
22	1	ALT YATAK TEFLONU	BALL TIGHTNESS ELEMENT	PTFE-Teflon	PTFE-Teflon
21	1	ALT YATAK	TRUNNION	ASTM A 105	1.4301. - 1.4401.
20	1	PLASTİK KAPLAMA	PLASTIC COVERING	PVC	PVC
19	1	KÜRE HAREKET KOLU	BALL ACTION HANDLE	st 37	1.4301.
18	1	ÇIVATA	BOLT	ST 42 Gal.	1.4301. - 1.4401.
17	1	STOPLAMA PİMİ	STOPPING PIN	ST 42 Gal.	1.4301.
16	2	ANTİSTATİK KÜRE	ANTISTATIC BALL	1.4301.	1.4301. - 1.4401.
15	2	ANTİSTATİK YAY	ANTISTATIC SPRING	1.4301.	1.4301. - 1.4401.
14	8	SOMUN	NUT	5.6.	1.4301. - 1.4401.
13	4	ŞAPLAMA	STOPPING PIN	4140 - 5140	1.4301.
12	2	KONTRM SOMUN	COUNTER NUT	5,6 Gal.	1.4301.
11	2	ÇANAK PUL	BOWL WASHER	50 Cr V 4	1.4301.
10	1	BASKI RİNGİ	PRESSURE RING	M5 58	1.4301. - 1.4401.
9	1	MİLO-RİNG	SPINDLE O-RING	VITON	VITON
8	2	BURGMAN GRAFİT O-RİNG	BURGMAN GRAPHITE O-RING	EN 1514-1	EN 1514-1
7	4	BOĞAZ SIZDIRMAZLIK TEFLONU	NECK TIGHTNESS ELEMENT	PTFE-Teflon	PTFE-Teflon
6	2	GÖVDE SIZDIRMAZLIK TEFLONU	BODY TIGHTNESS ELEMENT	PTFE-Teflon	PTFE-Teflon
5	2	KÜRE SIZDIRMAZLIK TEFLONU	BALL TIGHTNESS ELEMENT	PTFE-Teflon	PTFE-Teflon
4	1	HAREKET MİLİ	ACTION SPINDLE	1.4021	1.4301. - 1.4401.
3	1	KÜRE	BALL	1.4301 / 1.4086	1.4305. - 1.4401.
2	2	KAPAK	COVER	A 216 WCB / A 105	1.4301. - 1.4401.
1	1	GÖVDE	BODY	A 216 WCB / A 105	1.4301. - 1.4401.

TİP TYPE	BOYUT ve BAĞLANTI ÖLÇÜLERİ ( DIMENSIONS AND CONNECTION SIZES )											
	CLASS 300											
	L	G	H	f	D	b	k	Hole Unit	I	F	kg	
BKV-FL-TG												
DN 15 1/2"	140	150	75	2	95	14,3	66,7	4	15,7	35,1		
DN 20 3/4"	152	150	83	2	115	15,9	82,6	4	19,1	42,9		
DN 25 1"	165	180	90	2	125	17,5	88,9	4	19,1	50,8		
DN 32 1 1/4"	178	230	95	2	135	19,1	98,4	4	19,1	63,5		
DN 40 1 1/2"	190	275	115	2	155	20,7	114,3	4	22,4	73,2		
DN 50 2"	216	275	120	2	165	22,3	127,0	8	19,1	91,9		
DN 65 2 1/2"	241	320	135	2	190	25,4	149,2	8	22,4	104,6		
DN 80 3"	282	380	150	2	210	28,6	168,3	8	22,4	127,0		
DN 100 4"	305	450	170	2	255	31,8	200,0	8	22,4	157,2		
DN 125 5"	381	450	200	2	280	34,9	235,0	8	22,4	185,7		
DN 150 6"	403	650	235	2	320	36,6	269,9	12	22,4	215,9		
DN 200 8"	502	900	270	2	380	41,3	330,2	12	25,4	269,7		
DN 250 10"	568	1100	370	2	445	47,7	387,4	16	28,4	323,8		
DN 300 12"	648	1100	400	2	520	50,8	450,8	16	31,8	381,0		